

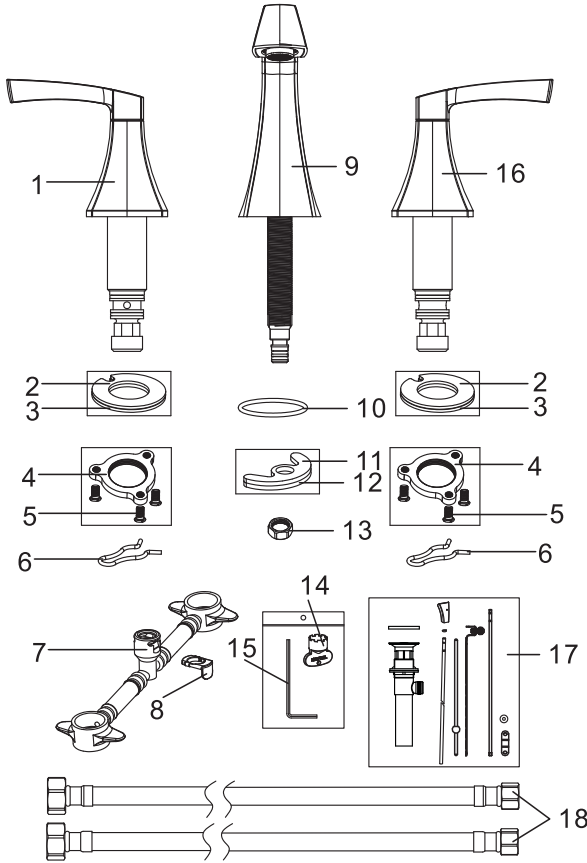
Karran[®]

INSTALLATION GUIDE

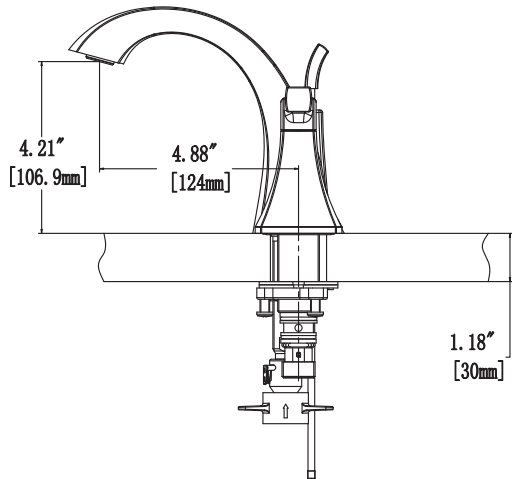
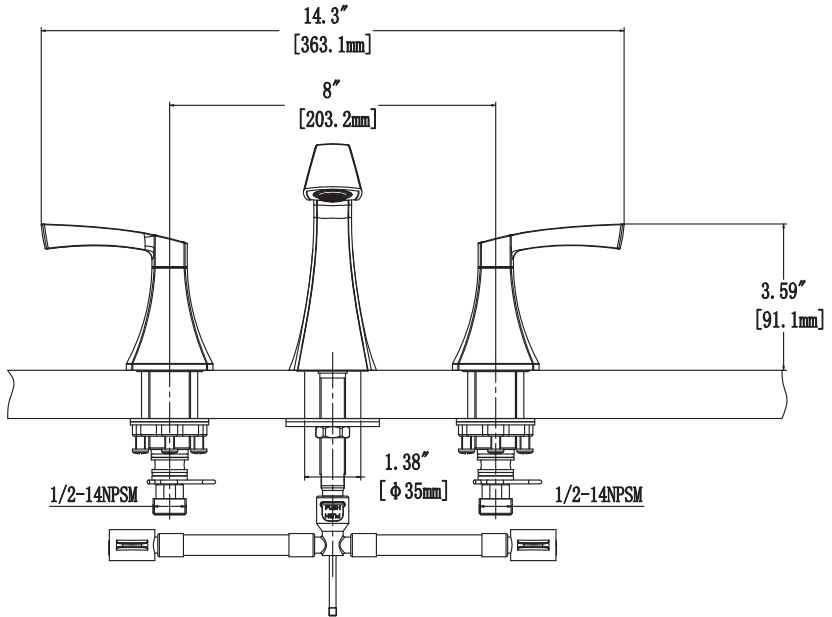


Randburg

Models: KBF524C KBF524SS
KBF524ORB KBF524MB

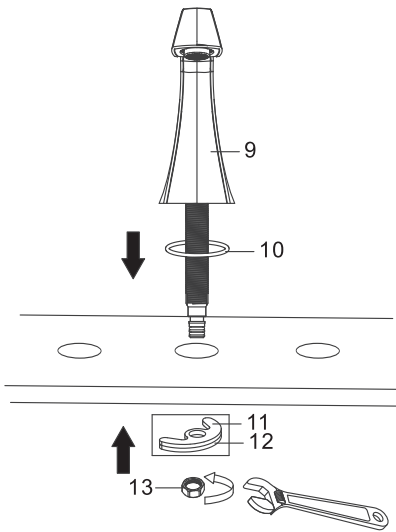


1. Handle
2. Rubber Washers
3. Clamps
4. Mounting Nuts
5. Mounting Screws
6. Clamp Springs
7. Quick Connect
8. Clip
9. Faucet Body
10. O-ring
11. Rubber Washer
12. Clamp
13. Nut
14. Aerator Wrench
15. Allen Key
16. Handle
17. Drain
18. Supply Lines



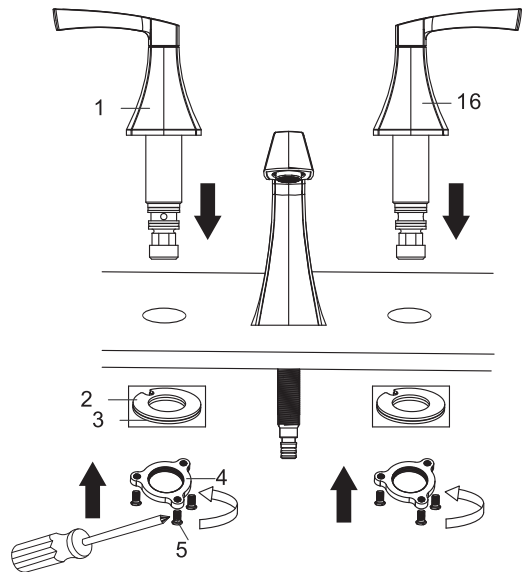
INSTALLATION GUIDE

STEP 1



1. Position the o-ring (#10) and faucet body (#9) in the installation surface as shown and secure it with the rubber washer (#11) and clamp (#12) and tighten the nut (#13) with adjustable wrench.

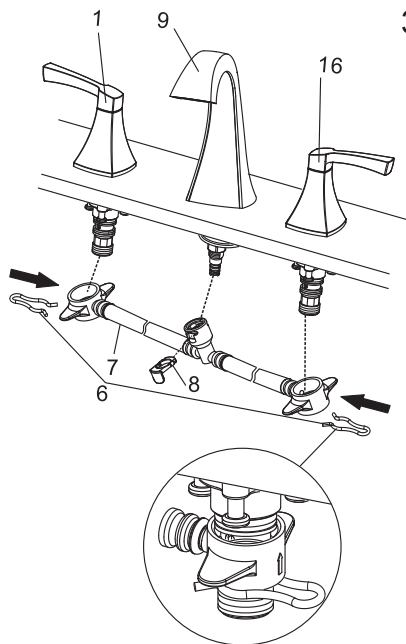
STEP 2



2. Position handle mounting (#1, #16) in installation surface as shown and secure it with kit (#2, #3, #4, #5) and tighten the screws with screwdriver. Repeat the above steps for the other handle.

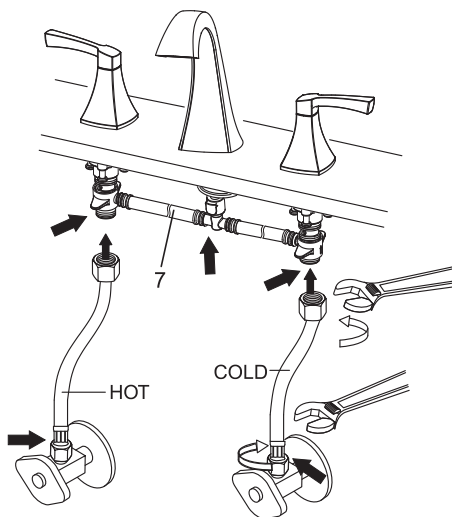
INSTALLATION GUIDE

STEP 3



3. Connect the “quick connect” hose (#7) to the handle (#1 and #16) and faucet body (#9). Insert the clip (#8) to the part on the “quick connect” hose. You will hear a “click” when it has been successfully connected. Use the provided clamps (#6) to secure the ends of the “quick connect” hose.

STEP 4

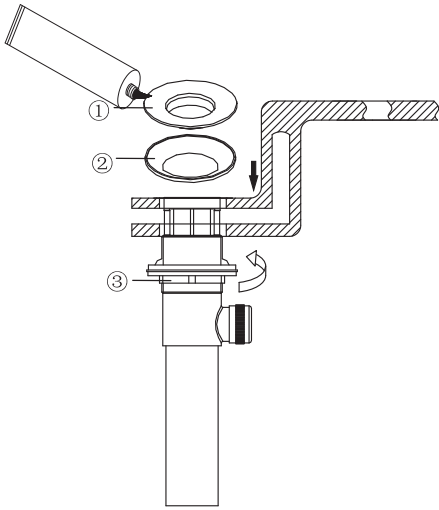


4. Connect the water supply lines to the bottom ends of the “quick connect” hose (#7) and to the hot and cold water supply valves. Secure and tighten with an adjustable wrench. Caution: Be careful not to mix up the hot and cold supply lines. Check all connections (shown with arrows in the image) for leaks. Re-tighten if necessary. Do not over tighten!

INSTALLATION GUIDE

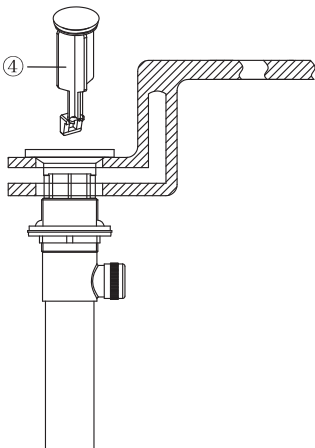
STEP 5

5. Place a bead of silicone or plumbers putty as shown on the drain opening of the sink. Thread the top (1 2) into the drain. Secure the drain by tightening the nut (3) underneath the sink.



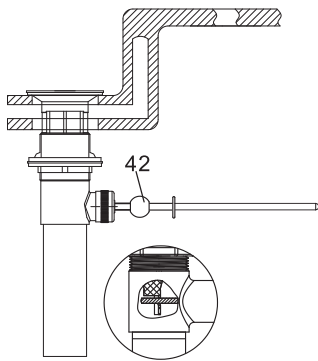
STEP 6

6. Insert drain stopper (4) into the drain. On the underside of the sink.



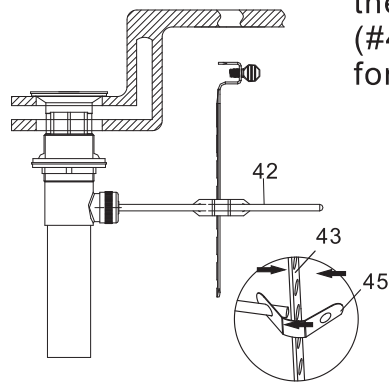
INSTALLATION GUIDE

STEP 7



7. On the underside of the sink, ensure the ball rod (#42) is inserted through the drain stopper base hole. See diagram for visual.

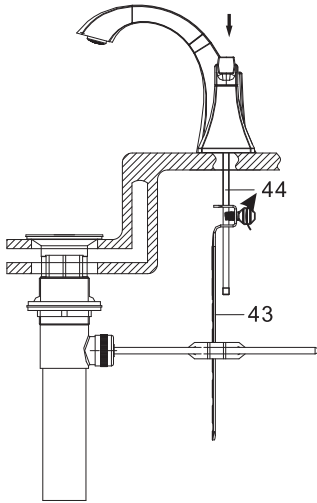
STEP 8



8. Place one end of the spring clip (#45) on the end of the ball rod (#42). Insert the ball rod through the hole on the lift rod strap (#43), then slide the other end of the spring clip (#45) over the ball rod (#42). See diagram for visual.

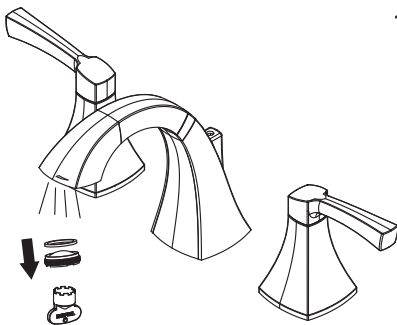
INSTALLATION GUIDE

STEP 9



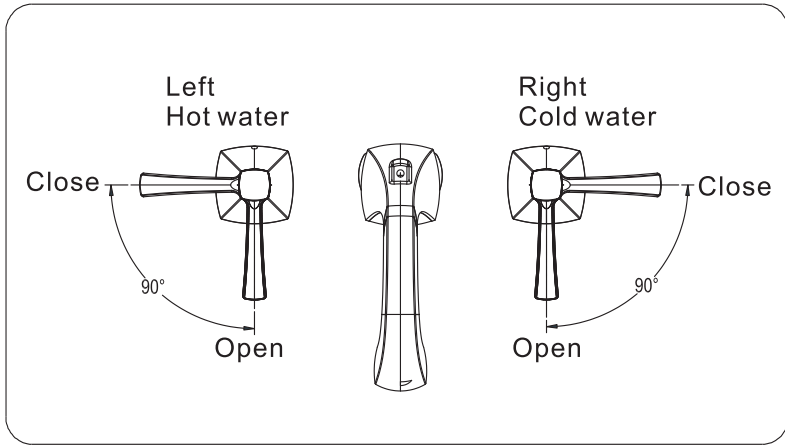
9. Insert the lift rod (#44) through the pop-up hole on the faucet. Underneath the sink insert the lift rod (#44) through the lift rod strap (#43). Tighten the thumb screw on the lift strap. Note: be sure to ensure there is enough room to lift the lift rod up and down to open and close the drain.

STEP 10

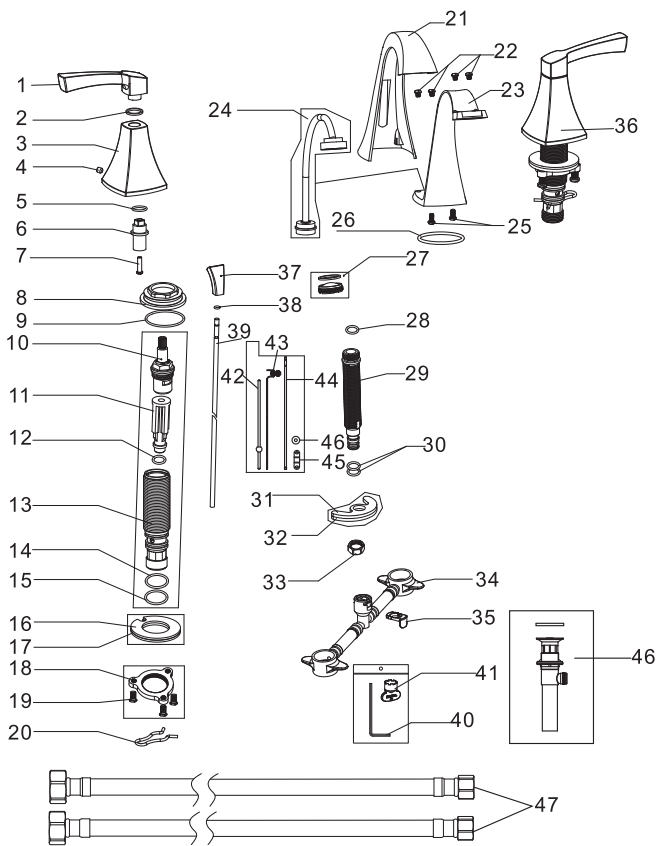


10. Remove the aerator with an aerator wrench (a quarter or flat surface tool could also work). Turn the faucet handle all the way on, turn on the hot and cold water supply and flush water lines for one minute. Reinstall the aerator with an aerator wrench.

How to operate the handle:



REPLACEMENT PARTS



No.	Description	Finish/Color	Item No.
1	Handles	C,SS,OEB MB	50P00CV22
2	Wearing Rings		81P24BW73
3	Handles	C,SS,OEB MB	51P00CV22
4	Screws		8EM5X5RB
5	O-rings		8J152X16
6	Adapters		52P20CV13
7	Screws		8RM4X15A
8	Lock Nuts		5YG1B277
9	O-rings		8J42X2
10	Cartridge		K5B2320DQ
11	Inlets		8JG94015
12	O-rings		8J14X2A
13	Underbodys		50T94019DQ
14	O-rings		8J23X2A
15	O-rings		8J22X205A
16	Rubber Washers		81N94015
17	Clamps		80N94015
18	Mounting Nuts		8NM94015
19	Mounting Screws		8RM6X15
20	Clamp Springs		81T94015
21	Upper Shell	C,SS,OEB MB	50T1B412
22	Screws		8RM4X4
23	Bottom Shell	C,SS,OEB MB	51T1B412
24	Water Way		52T1B412
25	Screws		8RM4X8
26	O-ring		8J46X2
27	Aerator		80M24123NP1
28	O-ring		8J16X2A
29	Inlet		8JG18U24DQ
30	O-rings		8J11X2A
31	Rubber Washer		81N18U24
32	Clamp		80N18U24
33	Nut		8NM16X15
34	Connection Hose		GKJ390HM0
35	Clip		8ST56226
36	Cartridge	C,SS,OEB MB	K5B232ZDQ
37	Diverter Cover		50D2B412
38	O-ring		8J6X15
39	Lift Rod		50NG18202
40	Allen Key		8BS25
41	Aerator Wrench		80P00013
42	Ball Rod		82NGM23A

No.	Description	Finish/Color	Item No.
43	Lift Rod Strap		51NGM231A
44	Lift Rod		50NG18202
45	Spring Clip		53NGM231A
46	O-ring		84NGM23A
47	Drain		C11011
48	Supply Lines		G08603SR

*Denotes faucet component color options:
 C - Chrome
 SS - Stainless Steel
 ORB - Oil-Rubbed Bronze
 MB - Matte Black